

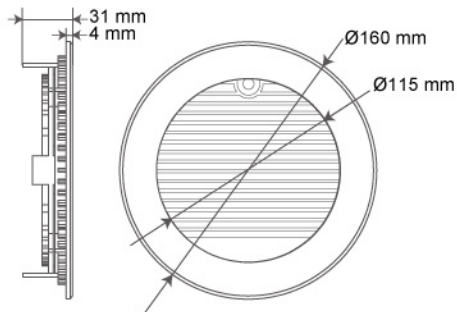
Downlight



CE FC

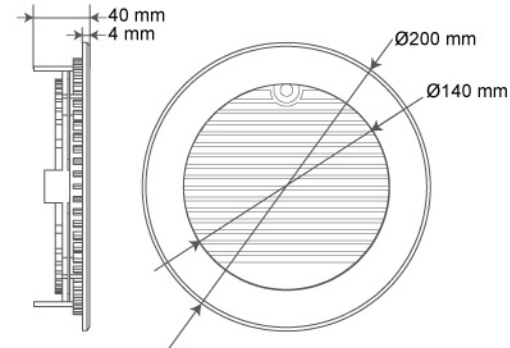
FZL-DL-06-01 Series

• Ceiling drill hole:  140 ~ 150mm



FZL-DL-08-01 Series

• Ceiling drill hole:  180 ~ 185mm



12W

FZL-DL06-01 Series

- Luminous Flux (lm): 600 (±10%) with 3000K / 620 (±10%) with 4000K / 750 (±10%) with 6000K
- Power Consumption (W): 12
- LED: **Liteon**
- CCT (K): 3000K (WW) / 4000K (NW) / 6000K (CW)
- Lifetime (hrs): >35000
- Beam Angle: 120°
- Net Weight (kgs): 0.48 (±10%) with driver

Model	FZL-DL06-01-WW-12 FZL-DL06-01-NW-12 FZL-DL06-01-CW-12	FZL-DL06-01-WW-12TDH FZL-DL06-01-NW-12TDH FZL-DL06-01-CW-12TDH	FZL-DL06-01-WW-12TDL FZL-DL06-01-NW-12TDL FZL-DL06-01-CW-12TDL
Input Voltage (V)	AC 100 – 240V (Non-dimmable)	AC 220 – 240V (TriAC dimmable)	AC 100 – 120V (TriAC dimmable)

22W

FZL-DL08-01 Series

- Luminous Flux (lm): 1150 (±10%) with 3000K / 1200 (±10%) with 4000K / 1400 (±10%) with 6000K
- Power Consumption (W): 22
- LED: **Liteon**
- CCT (K): 3000K (WW) / 4000K (NW) / 6000K (CW)
- Lifetime (hrs): >35000
- Beam Angle: 120°
- Net Weight (kgs): 0.64 (±10%) with driver

Model	FZL-DL08-01-WW-22 FZL-DL08-01-NW-22 FZL-DL08-01-CW-22	FZL-DL08-01-WW-22TDH FZL-DL08-01-NW-22TDH FZL-DL08-01-CW-22TDH	FZL-DL08-01-WW-22TDL FZL-DL08-01-NW-22TDL FZL-DL08-01-CW-22TDL
Input Voltage (V)	AC 100 – 240V (Non-dimmable)	AC 220 – 240V (TriAC dimmable)	AC 100 – 120V (TriAC dimmable)