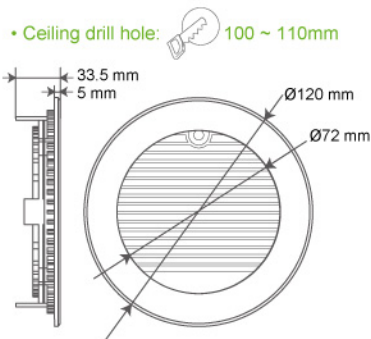


Downlight

9W

FZL-DL04-00 Series

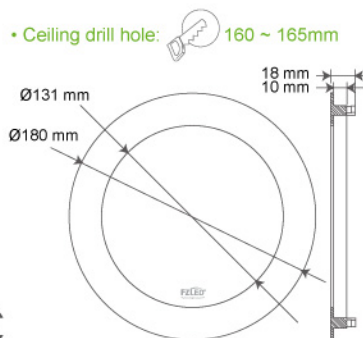


- Luminous Flux (lm): 400 (±10%) with 3000K / 470 (±10%) with 4000K / 560 (±10%) with 6000K
- Power Consumption (W): 9
- LED: Liteon
- CCT (K): 3000K (WW) / 4000K (NW) / 6000K (CW)
- Lifetime (hrs): >35000
- Beam Angle: 120°
- Net Weight (kgs): 0.48 (±10%) with driver

Model	FZL-DL04-00-WW-09 FZL-DL04-00-NW-09 FZL-DL04-00-CW-09	FZL-DL04-00-WW-09TDH FZL-DL04-00-NW-09TDH FZL-DL04-00-CW-09TDH	FZL-DL04-00-WW-09TDL FZL-DL04-00-NW-09TDL FZL-DL04-00-CW-09TDL
Input Voltage (V)	AC 100 – 240V (Non-dimmable)	AC 220 – 240V (TriAC dimmable)	AC 100 – 120V (TriAC dimmable)

12W

FZL-DL06-00 Series



- Luminous Flux (lm): 600 (±10%) with 3000K / 620 (±10%) with 4000K / 750 (±10%) with 6000K
- Power Consumption (W): 12
- LED: Liteon
- CCT (K): 3000K (WW) / 4000K (NW) / 6000K (CW)
- Lifetime (hrs): >35000
- Beam Angle: 120°
- Net Weight (kgs): 0.46 (±10%) with driver

Model	FZL-DL06-00-WW-12 FZL-DL06-00-NW-12 FZL-DL06-00-CW-12	FZL-DL06-00-WW-12TDH FZL-DL06-00-NW-12TDH FZL-DL06-00-CW-12TDH	FZL-DL06-00-WW-12TDL FZL-DL06-00-NW-12TDL FZL-DL06-00-CW-12TDL
Input Voltage (V)	AC 100 – 240V (Non-dimmable)	AC 220 – 240V (TriAC dimmable)	AC 100 – 120V (TriAC dimmable)